

DIAPHRAGM TYPE LEVEL SWITCH **KF-500**



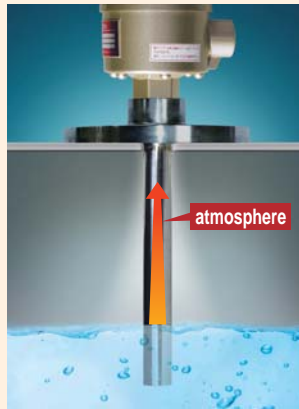
A simple moving part design now comes up with a reliable operation.
The detection level is adjustable by yourself depending
upon the length of the detection pipe.

Principle of Operation

The Diaphragm Type Level Switch is a level switch detecting a liquid by utilizing the pressure change affected by water rising and falling in a pipe.

As the liquid level rises, the pressure inside the pipe increases. It detects the increase of the pressure, and provides output.

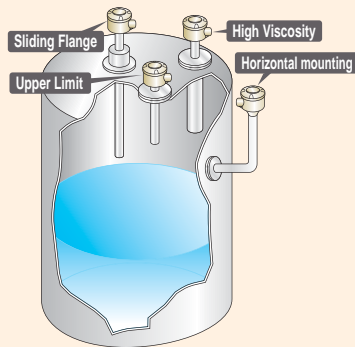
In turn, the water level descends, and the air pressure inside the detection pipe gets lower, the output contact will return to the initial condition.



Precautions for Use

- Because the operation pressure is small, completely seal the housing body and the detection pipe with seal adhesives in liquid form.
- Pipe material, diameter and length is at your choice according to the liquid.
- Changing the detection water level is also possible by fixing a sliding flange.
- Make the tank open when using.
- Detection pipe and Flange can optionally be available.

Application



Standard Specifications

Spec.	Model	KF-500	KF-500H
Contact Capacity		250VAC 5A	250VAC 5A
		250VDC 0.25A	250VDC 0.3A
		30VDC 5A	30VDC 5A
Temperature		-20 ~ +70°C	-25 ~ +150°C
Pressure		atm.	atm.
Enclosure Rating		Equivalent to IP54	Equivalent to IP54
Operating Water Level *1		40±10mm	50±10mm
Breaking Water Level *1		30±10mm	40±10mm
Weight		0.6kg	0.6kg
Conduit Connection		G 3/4	G 3/4
Housing Material		ADC	ADC
Diaphragm		Silicon Rubber	Silicon Rubber

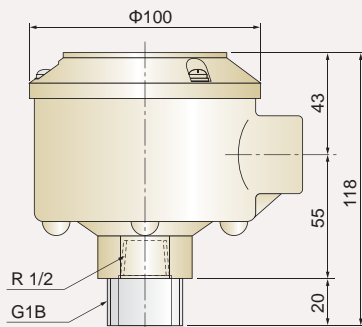
- Flange 25A is the smallest. ANSI and DIN can be available.
- Never use closed tank.
- This can be an explosion-proof product when an intrinsically safe explosion-proof barrier is used. *2

Note:

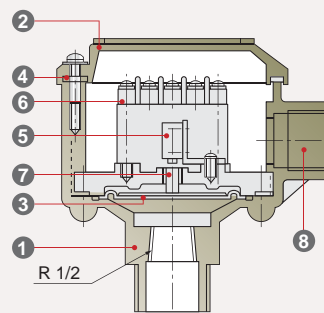
- *1) Operating water level means the liquid level from the pipe end to liquid surface when the switch turns on, using 500mm of 1/2B SGP pipe screwed into the body.
- *2) You may replace it with a micro switch which can be operated under a minute current, depending upon the barrier relay type. Confirm the electric rating of the barrier relay now in use and contact our Sales representative.
- *3) In installing at a place over 150°C, we recommend KF-500H(S) which is heatproof up to 250°C, but consult with our sales staff because its shape is different.

General Drawings / Internal Structure / Contact Construction

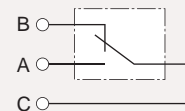
Figures of General Drawing



Figures of Internal Structure



Figures of Contact Construction



No.	Parts Name	Material
1	Housing	ADC
2	Lid	ADC
3	Diaphragm	Silicon Rubber
4	Gasket	NBR
5	Micro Switch	
6	Terminal Block	
7	Push Rod	C3604
8	Conduit Connection	G 3/4

Line of business

- Rotary Paddle Type Level Switch
- Vibration Type Level Switch
- Swing Type Level Switch
- Acoustic Level Switch
- Capacitance Type Level Switch
- Capacitive Proximity Sensor
- Capacitance Type Level Indicator
- Diaphragm Type Level Switch
- Tilt Switch
- Leak Type Level Switch
- Microwave Switch
- Sounding Bob Type Level Indicator
- Flow Switch
- Conductance Type Level Switch
- Float Switch
- Float Type Level Indicator
- Ultrasonic Type Level Indicator
- Equipments For Conveyor Lines
- Dust Monitor System
- Zirconia Oxygen Analyzer
- Laser Type Level Indicator
- RADAR Type Level Indicator
- Ultrasonic Flow meter

General Manufacturer of Level Controllers for Powder, Granules, and Liquid

KANSAI Automation Co., Ltd.

Headquarters:
2-14, Togano-cho, Kita-ku, Osaka 530-0056, Japan
TEL. 81-6-6312-2071 FAX. 81-6-6314-0848
e-mail: info@kansai-automation.co.jp

<http://www.kansai-automation.co.jp>

Tokyo Branch: 1-29-6, Hamamatsu-cho, Minato-ku, Tokyo 105-0013, Japan
TEL. 81-3-5777-6931 FAX. 81-3-5777-6933

Nagoya Office: 3-10-17, Uchiyama, Chigusa-ku, Nagoya 464-0075, Japan
TEL. 81-52-741-2432 FAX. 81-52-741-1588

Hiroshima Office: 13-11, Noborimachi, Naka-ku, Hiroshima 730-0016, Japan
TEL. 81-82-222-1555 FAX. 81-82-222-1556

Kyushu Office: 1-1-21, Komemachi, Kokura Kita-ku, Kitakyushu 802-0003, Japan
TEL. 81-93-511-4741 FAX. 81-93-511-4580



*Please be sure to read USER'S GUIDE, Installation & Operation Instructions before using the instrument.

*The specifications herein may be subject to change without advance notice.

Agent



SCIGATE AUTOMATION (S) PTE LTD

No.1 Bukit Batok Street 22 #01-01 Singapore 659592

Tel: (65) 6561 0488 Fax: (65) 6562 0588

Email: sales@scigate.com.sg Web: www.scigate.com.sg

Business Hours: Monday - Friday 8.30am - 6.15pm